



CH-1106TX & RXN

HDMI over CAT5e/6 Transmitter and Receiver Set
with IR Source Control



Operation Manual

DISCLAIMERS

The information in this manual has been carefully checked and is believed to be accurate. Cypress Technology assumes no responsibility for any infringements of patents or other rights of third parties which may result from its use.

Cypress Technology assumes no responsibility for any inaccuracies that may be contained in this document. Cypress also makes no commitment to update or to keep current the information contained in this document.

Cypress Technology reserves the right to make improvements to this document and/or product at any time and without notice.

COPYRIGHT NOTICE

No part of this document may be reproduced, transmitted, transcribed, stored in a retrieval system, or any of its part translated into any language or computer file, in any form or by any means—electronic, mechanical, magnetic, optical, chemical, manual, or otherwise—without express written permission and consent from Cypress Technology.

© Copyright 2011 by Cypress Technology.

All Rights Reserved.

Version 1.1 August 2011

TRADEMARK ACKNOWLEDGMENTS

All products or service names mentioned in this document may be trademarks of the companies with which they are associated.





SAFETY PRECAUTIONS

Please read all instructions before attempting to unpack, install or operate this equipment and before connecting the power supply.

Please keep the following in mind as you unpack and install this equipment:

- Always follow basic safety precautions to reduce the risk of fire, electrical shock and injury to persons.
- To prevent fire or shock hazard, do not expose the unit to rain, moisture or install this product near water.
- Never spill liquid of any kind on or into this product.
- Never push an object of any kind into this product through any openings or empty slots in the unit, as you may damage parts inside the unit.
- Do not attach the power supply cabling to building surfaces.
- Use only the supplied power supply unit (PSU). Do not use the PSU if it is damaged.
- Do not allow anything to rest on the power cabling or allow any weight to be placed upon it or any person walk on it.
- To protect the unit from overheating, do not block any vents or openings in the unit housing that provide ventilation and allow for sufficient space for air to circulate around the unit.

REVISION HISTORY

VERSION NO.	DATE DD/MM/YY	SUMMARY OF CHANGE
VR0	29/09/11	Preliminary Release
VS1	19/04/13	Updated format/diagrams



CONTENTS

1. Introduction	1
2. Applications	1
3. Package Contents	1
4. System Requirements	1
5. Features	2
6. Operation Controls and Functions	3
6.1 Transmitter Front and Rear Panels	3
6.2 Receiver Front and Rear Panels.....	4
6.3 IR Cable Pin Assignment	5
6.4 RJ-45 Pin Definition	5
7. Connection Diagrams	6
7.1 Typical Connection Example	6
7.2 Input Connection Examples	7
7.3 Output Connection Examples.....	8
8. Specifications	9
8.1 Technical Specifications	9
8.2 Compatible Products	10
9. Acronyms	10





1. INTRODUCTION

This HDMI over CAT5e/6 Transmitter and Receiver Set with IR Source Control can extend HDMI signals over dual CAT5e/6 cabling up to 45m. It has the added benefit of allowing the control of a source device with your existing Remote Control with the included IR Extender and Blaster cables.

2. APPLICATIONS

- Showroom Display and Control
- Home Entertainment systems
- Commercial/Retail Installations
- Commercial Display
- University Lecture Hall display

3. PACKAGE CONTENTS

- 1×HDMI over CAT5e/6 Transmitter with IR Source Control
- 1×HDMI over CAT5e/6 Receiver with IR Source Control
- 1×IR Extender Cable
- 1×IR Blaster Cable
- 2×5 V/1 A DC Power Supply Adaptor
- Operation Manual

4. SYSTEM REQUIREMENTS

HDMI source device such as a DVD/Blu-ray player and HDMI equipped display (TV or monitor), dual CAT5e/6 cables and the source device's remote control.

5. FEATURES

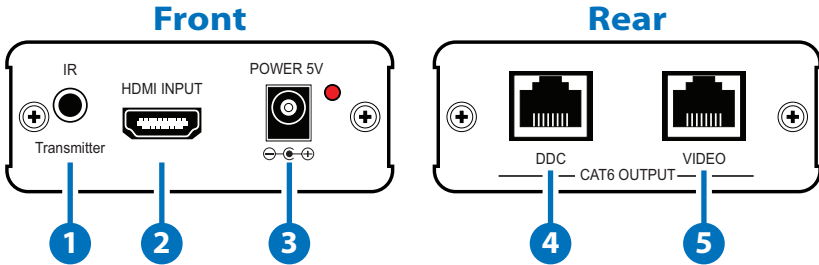
- HDMI, HDCP 1.1 and DVI 1.0 compliant
- Supports high definition digital video and lossless, compressed digital audio (Dolby TrueHD, Dolby Digital Plus and DTS-HD Master Audio)
- Supports dual CAT5e/6 cables for Video/Audio and data/DDC transmission
- Equalizes and recovers incoming TMDS data before re-transmitting it in optimum quality
- Supports CEC bypass and x.v.YCC
- Includes an IR Extender and Blaster
- Supports a wide range of IR frequencies, from 30 kHz to 50 kHz
- Supports transmission of 1080p@8-bit resolution signals up to 45 meters over dual CAT5e/6 cables
- Supports HDMI input cable length of up to 6 meters and output cable length of 10 meters at 1080p@8-bit resolution
- Supports connection to a repeater or another transmitter and receiver set to extend the HDMI signal

Note:

1. *This system was tested with CAT-6/23AWG solid core cables, results may vary with cables of a different specification.*
2. *Cable distance tested with the following devices: PS3 40G, 37" Philips 8 bit LCD TV*
3. *Figures provided in this manual are for reference only, actual performance may vary depending on the source and display devices as well as the type of cable being used.*

6. OPERATION CONTROLS AND FUNCTIONS

6.1 Transmitter Front and Rear Panels



1 IR TRANSMITTER

Connect to the supplied IR blaster cable for IR signal transmission. Place the IR blaster in direct line of sight of the equipment to be controlled.

2 HDMI INPUT

Connect to an HDMI source such as a DVD or Blu-ray player.

3 POWER 5V

Connect the 5V DC power supply to the unit and plug the adaptor into an AC outlet.

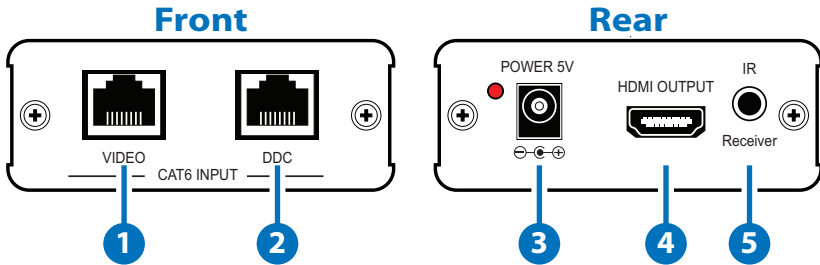
4 DDC OUTPUT

Connect the DDC output of the transmitter to the DDC input of the receiver using a CAT5e/6 cable.

5 VIDEO OUTPUT

Connect the video output of the transmitter to the video input of the receiver using a CAT5e/6 cable.

6.2 Receiver Front and Rear Panels



1 VIDEO INPUT

Connect the video output of the transmitter to the video input of the receiver using a CAT5e/6 cable.

2 DDC INPUT

Connect the DDC output of the transmitter to the DDC input of the receiver using a CAT5e/6 cable.

3 POWER 5V

Plug the 5V DC power supply into the unit and connect the adaptor to an AC outlet.

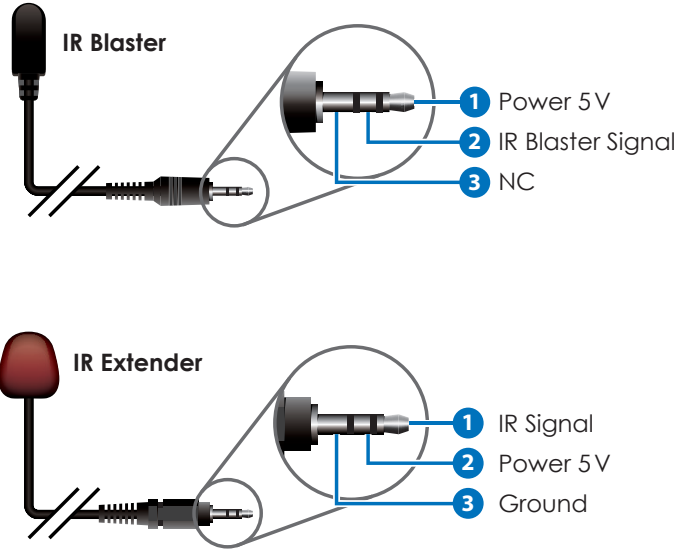
4 HDMI OUTPUT

Connect the HDMI output to the HDMI or DVI input (with a HDMI to DVI adaptor) of a display such as an HDTV or HD monitor.

5 IR RECEIVER

Connect to the supplied IR extender cable for IR signal reception. Ensure that remote control being used is within the direct line-of-sight of the IR extender.

6.3 IR Cable Pin Assignment

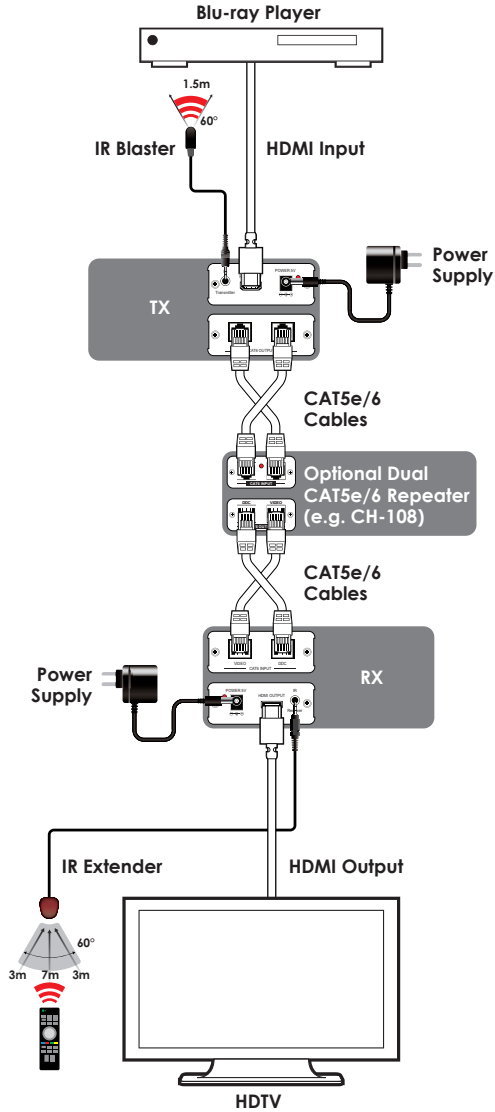


6.4 RJ-45 Pin Definition

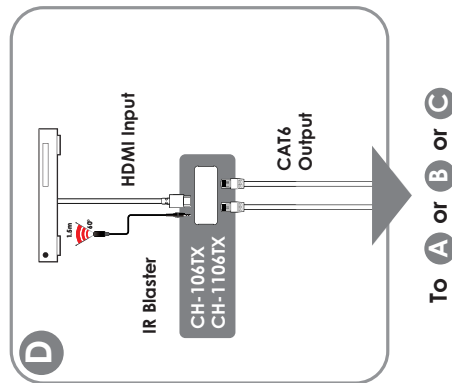
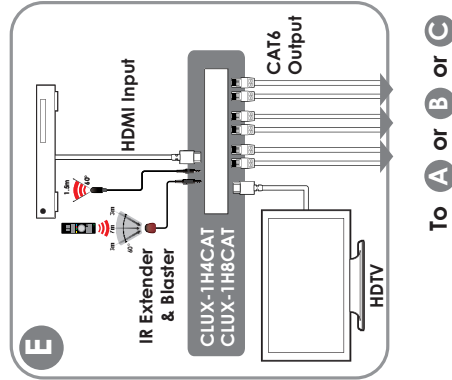
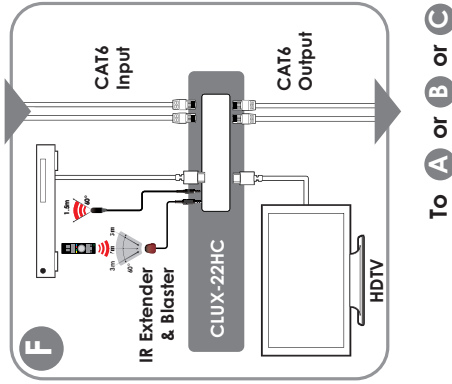
PIN	VIDEO	DDC
1	TMDS2+	SCL
2	TMDS2-	N/A
3	TMDS1+	SDA
4	TMDS1-	Power 5V
5	TMDS0+	GND
6	TMDS0-	IR
7	TMDS0+	HPD
8	TMDS0-	CEC

7. CONNECTION DIAGRAMS

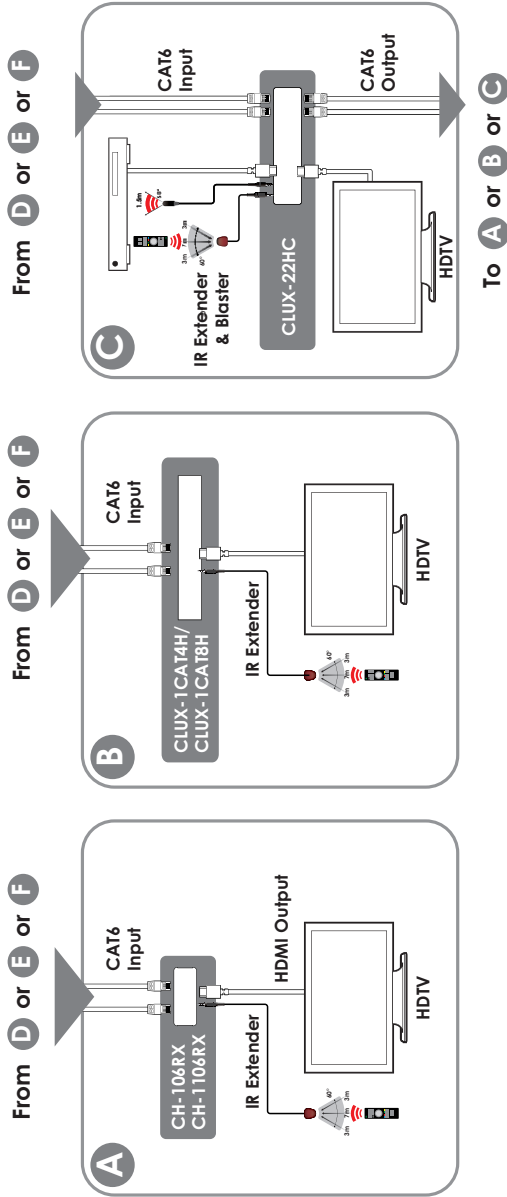
7.1 Typical Connection Example



7.2 Input Connection Examples



7.3 Output Connection Examples





8. SPECIFICATIONS

8.1 Technical Specifications

Transmitter	1×HDMI, 1×IR Blaster, 1×CAT5e/6 Output Video, 1×CAT5e/6 Output DDC
Receiver	1×HDMI, 1×IR Extender, 1×CAT5e/6 Input Video, 1×CAT5e/6 Input DDC
HDMI Input Cable	1080p/8-bit (6 m)
HDMI Output Cable	1080p/8-bit (10 m)
CAT5e/6 Cable	1080p/8-bit (45 m)
Power Supply	5 V/1 A (US/EU standards, CE/FCC/UL certified)
ESD Protection	Human body model: ± 8kV (air-gap discharge) ± 4kV (contact discharge)
Dimensions	78.5 mm (W)×117 mm (D)×30 mm (H)/TX 78.5 mm (W)×72 mm (D)×30 mm (H)/RX
Weight	200 g/TX, 140 g/RX
Chassis Material	Aluminum
Color	Silver
Operating Temperature	0 °C ~ 40 °C / 32 °F ~ 104 °F
Storage Temperature	-20 °C ~ 60 °C / -4 °F ~ 140 °F
Relative Humidity	20 ~ 90% RH (non-condensing)
Power Consumption	2.7 W/TX, 3.2 W/RX

8.2 Compatible Products

The models (Daul CAT5e/6) listed below are compatible with each other:

- CH-106TX/CH-106RX/CH-106TXN/CH-106RXN
- CH-1106TX/CH-1106RX/CH-1106RXN
- CMLUX-4H4CAT
- CLUX-1H8CAT
- CLUX-1H4CAT
- CLUX-1CAT8H
- CLUX-1CAT4H
- CLUX-22HC
- CH-108

9. ACRONYMS

ACRONYM	COMPLETE TERM
CAT5e	Category 5 Cable
CAT6	Category 6 Cable
CEC	Consumer Electronics Control
DDC	Display Data Channel
DVI	Digital Visual Interface
ESD	Electrostatic Discharge
GND	Ground
HDCP	High-bandwidth Digital content protection
HDMI	High Definition Multimedia Interface
IR	Infrared



CYPRESS TECHNOLOGY CO., LTD

Home page: <http://www.cypress.com.tw>