



Scan for full manual

DSP-1 Quick Start Guide

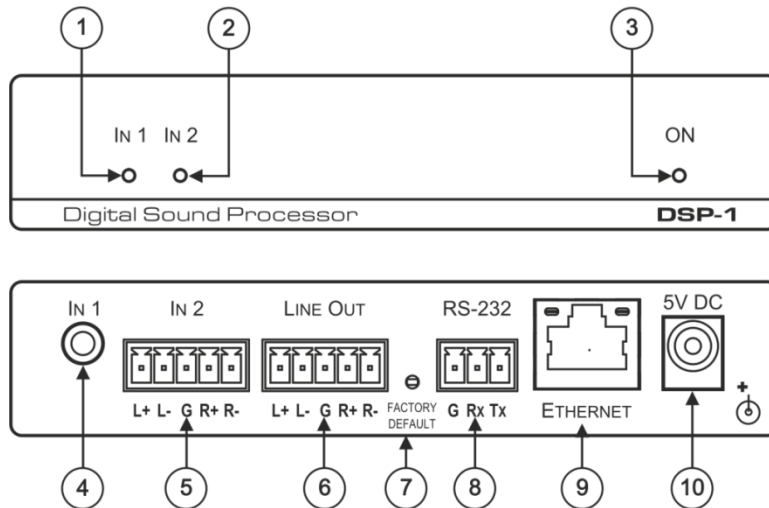
This guide helps you install and use your DSP-1 for the first time.

Go to www.kramerav.com/downloads/DSP-1 to download the latest user manual and check if firmware upgrades are available.

Step 1: Check what's in the box

- ✓ DSP-1 Digital Sound Processor
- ✓ 4 Rubber feet
- ✓ 1 Bracket set
- ✓ 1 Power adapter and cord
- ✓ 1 Quick start guide

Step 2: Get to know your DSP-1

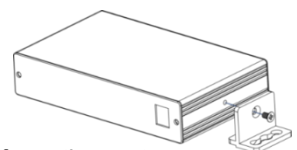


#	Feature	Function
1	IN 1 LED	Lights green when a signal is present on IN 1.
2	IN 2 LED	Lights green when a signal is present on IN 2.
3	ON LED	Lights green when the device is powered.
4	IN 1 3.5mm Mini Jack	Connect to an unbalanced stereo audio input.
5	IN 2 5-pin Terminal Block Connector	Connect to a balanced stereo audio input.
6	LINE OUT 5-pin Terminal Block Connector	Connect to a balanced stereo audio output.
7	FACTORY DEFAULT Recessed Button	Press and hold while powering the device to reset IP settings to factory default values.
8	RS-232 (G, Rx, Tx) 3-pin Terminal Block Connector	Connect to a PC or a serial controller.
9	ETHERNET RJ-45 Port	Connect to the Ethernet.
10	5V DC	5V DC connector for powering the unit.

Step 3: Install DSP-1

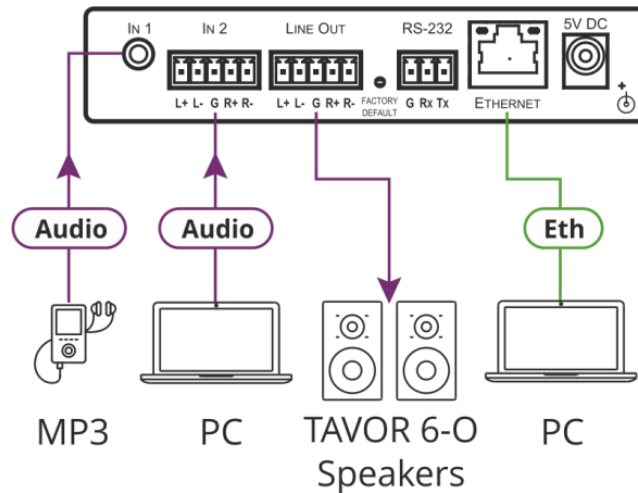
Install DSP-1 using one of the following methods:

- Attach the rubber feet and place the unit on a flat surface.
- Fasten a bracket (included) on each side of the unit and attach it to a flat surface. For more information go to www.kramerav.com/downloads/DSP-1.
- Mount the unit in a rack using an optional **RK-3T** rack adapter.



Step 4: Connect the inputs and outputs

Always switch OFF the power on each device before connecting it to your **DSP-1**. For best results, we recommend that you always use Kramer high-performance cables to connect AV equipment to **DSP-1**.



Step 5: Connect the power

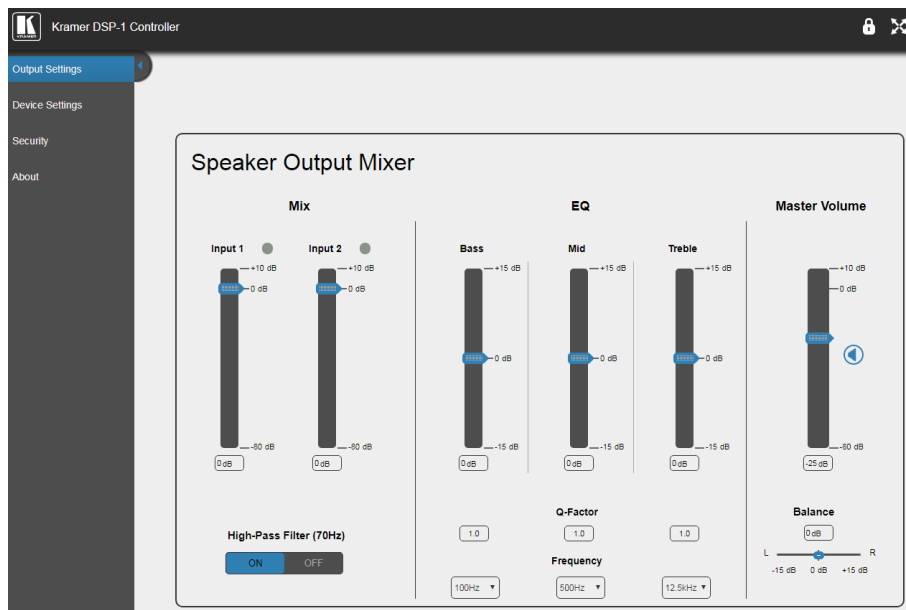
Connect the 5V DC power adapter to **DSP-1** and plug it into the mains electricity.

Safety Instructions



- Caution:** There are no operator serviceable parts inside the unit
- Warning:** Use only the Kramer Electronics power supply that is provided with the unit
- Warning:** Disconnect the power and unplug the unit from the wall before installing
See www.KramerAV.com for updated safety information.

Step 6: Operate DSP-1 via the embedded Web pages



RS-232

Protocol 3000

Baud Rate: 115,200 Stop Bits: 1

Data Bits: 8 Parity: None

Change the volume of input 2 to -10 DB #X-AUD-LVL 1,2,-10

TCP/IP Parameters

IP Address: 192.168.1.39 Maximum UDP Connections: Unlimited UDP Port #: 50000

Subnet mask: 255.255.000.000 Maximum TCP Connections: Unlimited TCP Port #: 5000

Default gateway: 192.168.0.1 Default Username / Password: Admin / Admin

Full Factory Reset

Protocol 3000 Excluding ETH: use "#FACTORY" command and use "#RESET" to restore the factory default values.