

LABI1-C100i

COMPACT PA SYSTEMS

Column Loudspeaker



PRODUCT OVERVIEW

LABI1-C100i is a versatile and discreet column loudspeaker, designed for indoor and outdoor fixed installations and portable applications.

It features twelve 3" drivers with 0.75" neodymium voice coil each one, 300W AES. Its versatile profile allows the column to be installed in several ways such as on the LABI subwoofers, on wall, pole, truss, etc. thanks to LABI1 accessories. Stand alone or combined with other LABI1-C100i and LABI1-SP18p to create a complete powerful solution, easy to mount and plug and play.

LABI1 series offers a modular solution to satisfy the most demanding fixed installations and mobile public address applications. Combining the different products of the series, it can fulfill any requirement.

KEY FEATURES

- Full-range passive 100cm loudspeaker column
- Twelve 3” drivers with 0.75” neodymium voice coil
- 300W AES
- Speakon® and 2-pin Euroblock input connectors (+ LINK connectors)
- Several mounting options
- Ready for outdoor applications
- Black finish available



LABI1-ODCNX



LABI1-CAC

APPLICATIONS

- Hospitality
- Leisure
- Sports & Wellness

ACCESSORIES & COMPATIBLE PRODUCTS

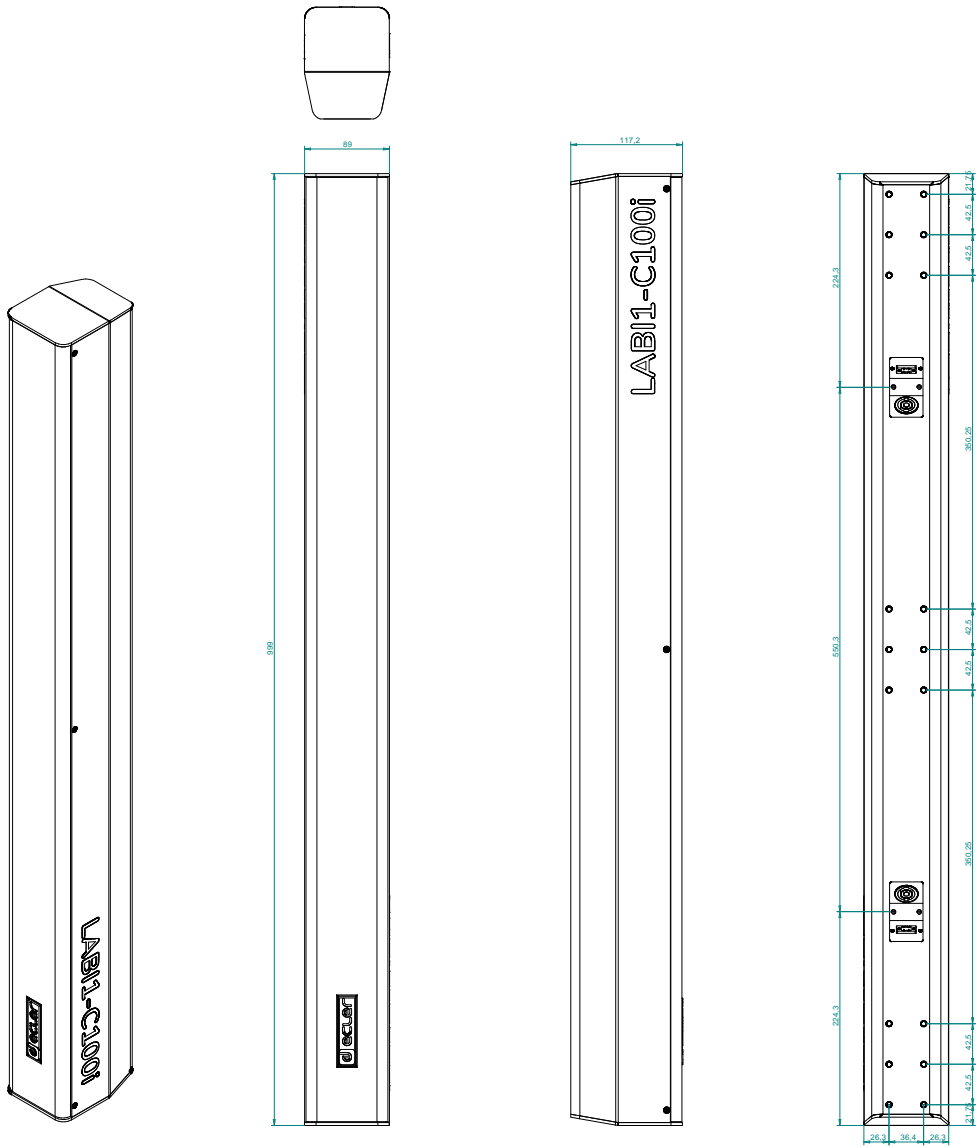
- LABI1-SB18p: powered sub-woofer
- LABI1-SB18: passive sub-woofer
- LABI1-SAC: column to sub-woofer adapter
- LABI1-CAC: column to column adapter
- LABI1-TBC: column to truss adapter
- LABI1-WBC: column to wall bracket
- LABI1-PBC: column to 35mm pole bracket
- LABI1-HBC: horizontal column floor/table mounting
- LABI1-ODCNX: outdoor connections cover
- LABI1-CFC: flight case for 2 LABI1-100Ci

TECHNICAL SPECIFICATIONS

LABI1-C100i

Drivers	12x3” transducers with 0.75” neodymium voice coil
AES Power	300W / 1200W peak
Impedance	8Ω
Sensitivity	96 dB (1W/1m)
Maximum SPL	121 dB-127dB peak
Frequency response	180 Hz ~ 20 kHz (±3dB)
Frequency range	150 Hz ~ 20 kHz (-10dB)
Dispersion	15°±5° x 100° (VxH)
Connection type	2 x Neutrik Speakon® NL4MP + 2 x Euroblock 2-pin + Link connection
IP rating	IP54 (with LABI1-ODCNX only)
Material	1.5mm stainless steel
Operating temperature	Min: 0°C ; 32°F Max: 35°C ; 95°F
Operating humidity	<85% HR
Storage temperature	Min: -10°C ; 14°F Max: 50°C ; 122°F
Storage humidity	<90% HR
Finished colour	Black (RAL 9005)
Dimensions (WxHxD)	89 x 1000 x 117 mm / 3.5” x 39.4” x 4.6”
Weight	7.8 kg / 17.2 lb

MECHANICAL DIAGRAMS

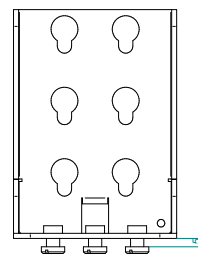
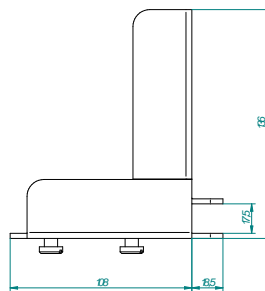
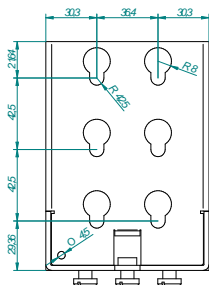
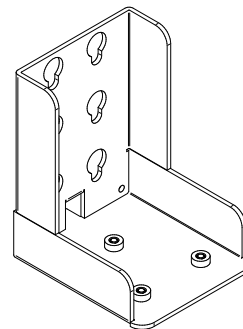
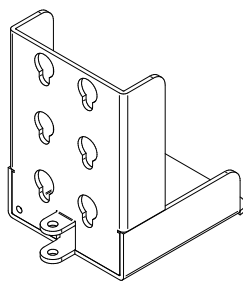
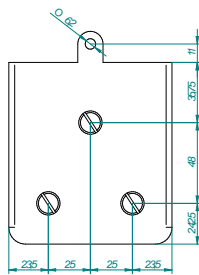
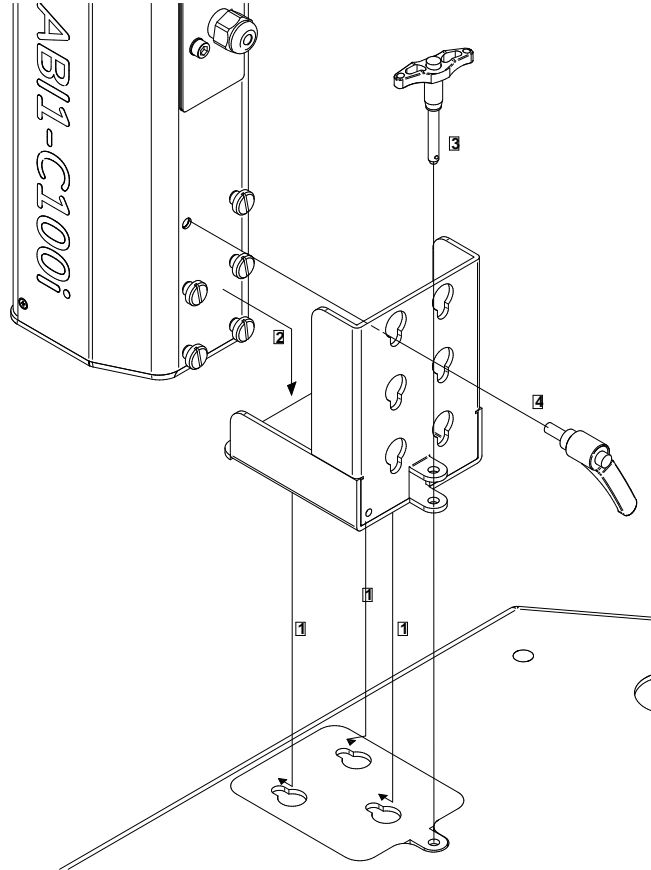


LABI1 SYSTEM

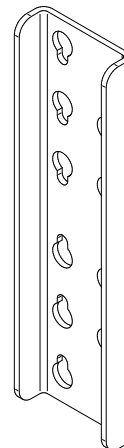
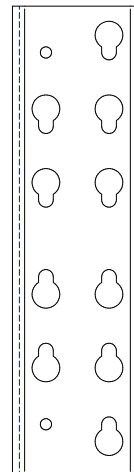
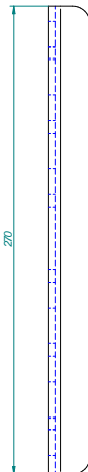
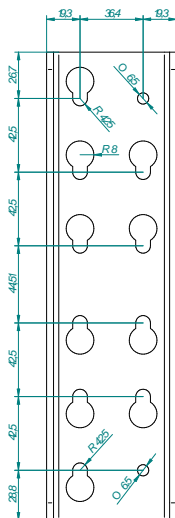
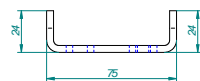
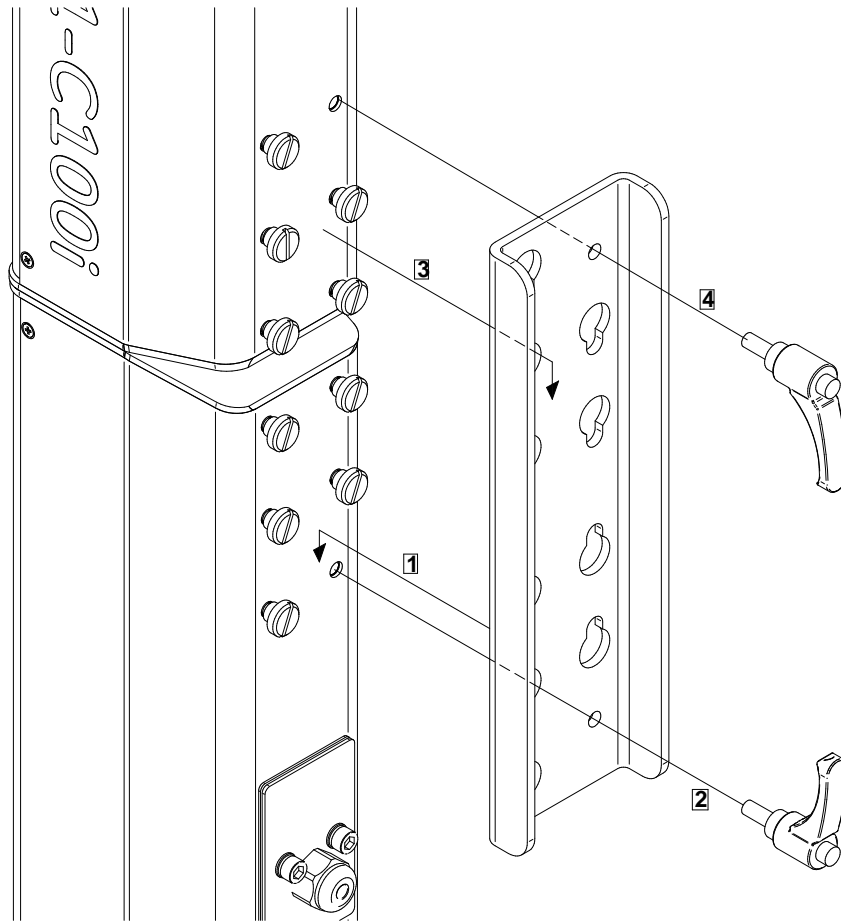


MOUNTING DIAGRAMS

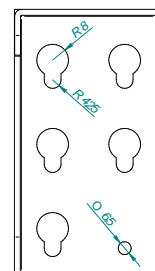
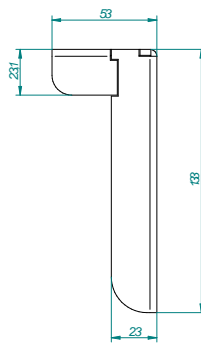
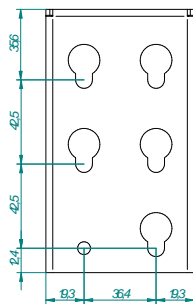
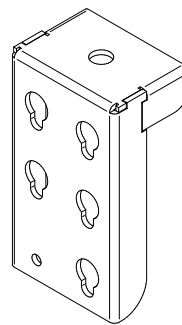
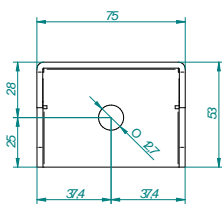
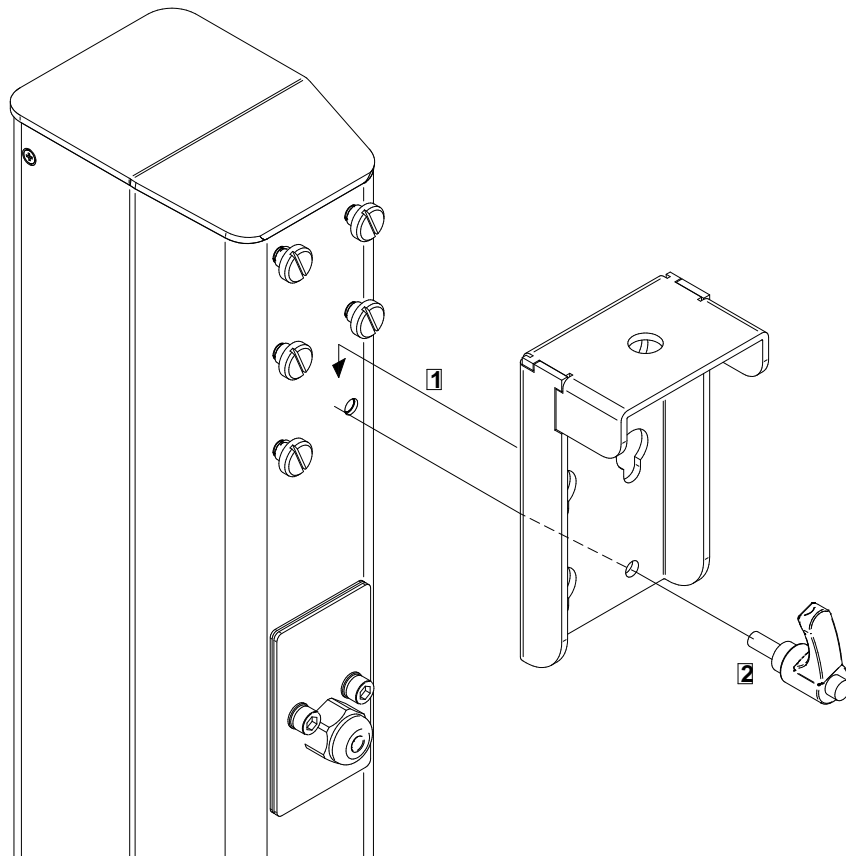
LABI1-SAC: column to sub-woofer adapter



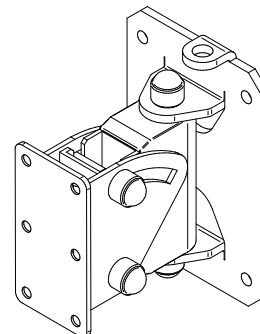
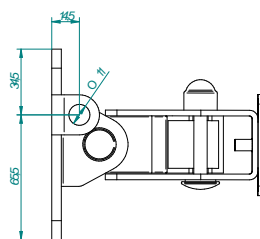
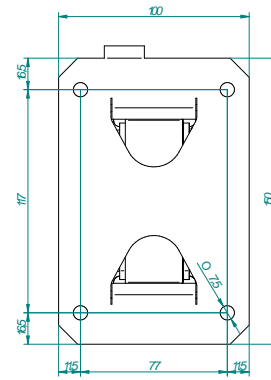
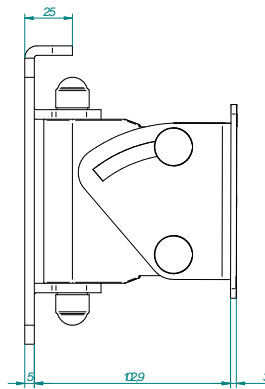
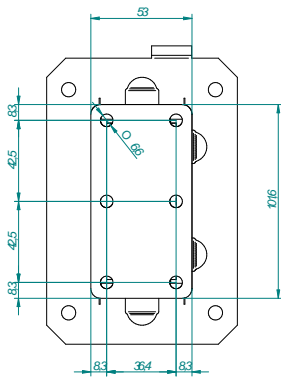
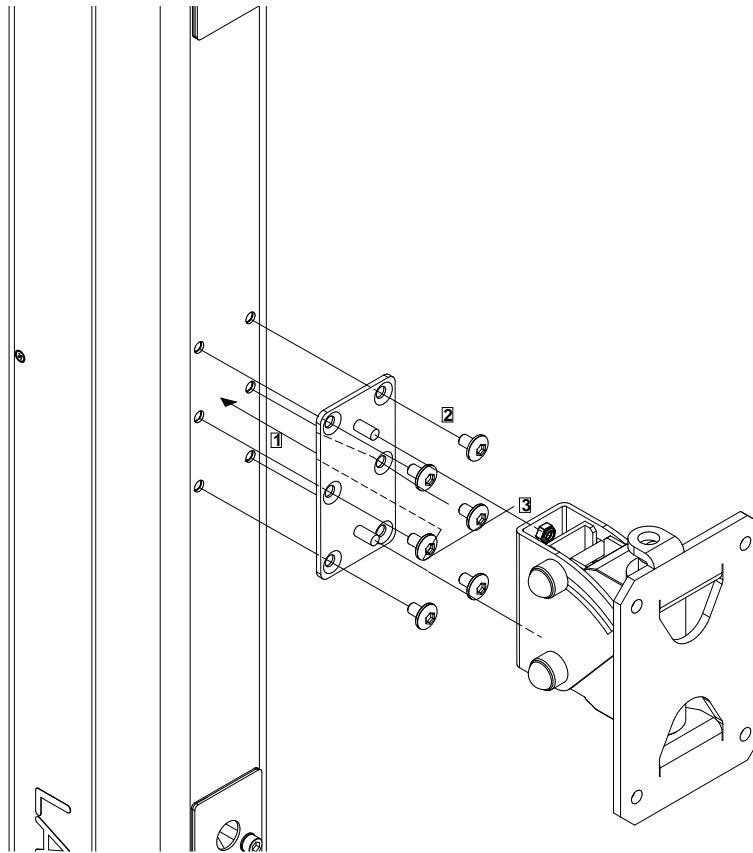
LABI1-CAC: column to column adapter



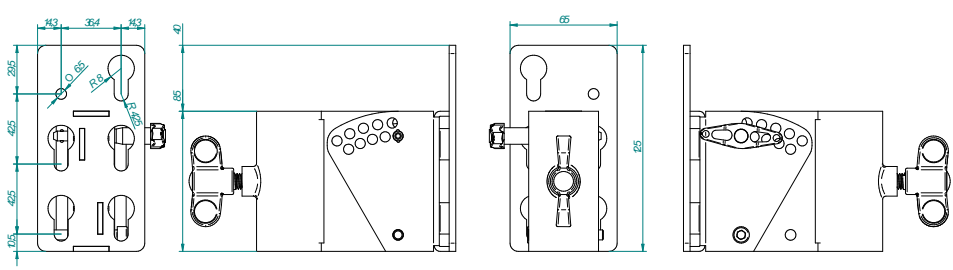
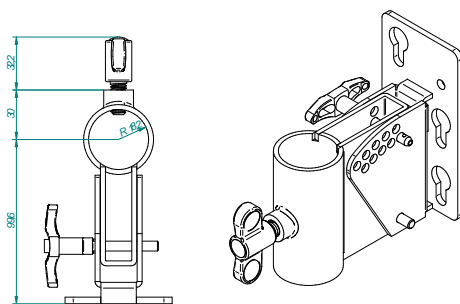
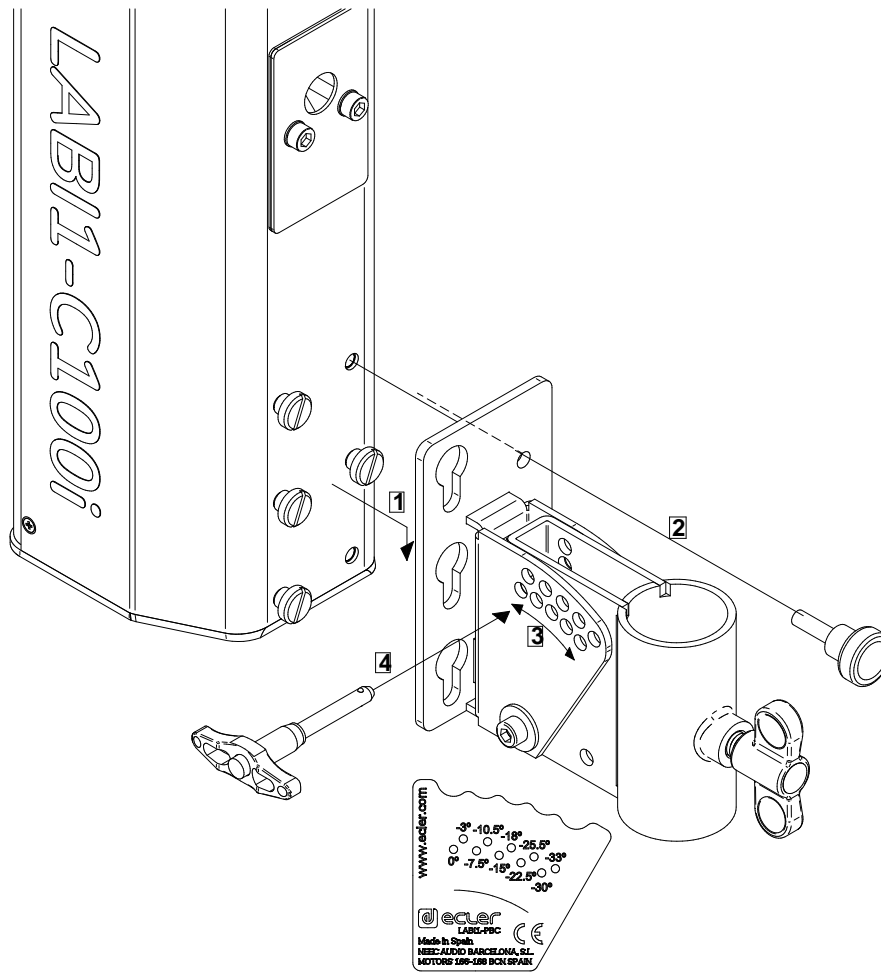
LABI1-TBC: column to truss



LABI1-WBC: column to wall bracket



LAB11-PBC: column to 35mm pole bracket





All product characteristics are subject to variation due to production tolerances. **NEEC AUDIO BARCELONA S.L.** reserves the right to make changes or improvements in the design or manufacturing that may affect these product specifications.

Motors, 166-168 08038 Barcelona - Spain - (+34) 932238403 | information@ecler.com | www.ecler.com