



# PM8CX

## Pendant Mount Speaker System



PM8CX-W

### Features

- 8" 8CXT60 driver provides 90° (45° off-axis) coverage in the 2 kHz octave band
- 70.7V taps @ 1.9, 3.8, 7.5, 15, 30, & 60 Watts plus 8 Ω direct input via concealed terminal block
- The best solution for high ceiling applications
- Cable mounting hardware included
- Compatible with standard ¾" ceiling fan hardware

### Technical Specifications

Power Rating:	150 Watts @ 8 Ω
70.7 Taps:	1.9, 3.8, 7.5, 15, 30, & 60 Watts
Frequency Response:	55 Hz – 15 kHz (±5 dB)
Sensitivity (1 W/ 1 M):	92 dB Average
Dispersion Angle:	90°
Woofer Mag. Wt.:	34 oz. (.96 Kg)
Woofer:	8" Poly Cone Butyl Rubber Surround
HF Driver:	Coaxially Mounted Titanium Compression Driver
Dimensions:	Diameter 12.25" (311.15 mm) Overall Height 16.62" (422.148 mm)
Enclosure Volume:	1075 In <sup>3</sup> (17,616.1 cm <sup>3</sup> )
Weight:	20 lbs (9.07 kg)

### Applications

The Atlas Sound PM8CX includes the 8CXT60 compression driver coaxial loudspeaker which provides excellent efficiency exceeding 92 dB 1 W/1 M. The 8CXT60 also offers a desirable tighter 90° conical coverage pattern in the 2 kHz octave band for great coverage performance in ultra high mounting locations up to 30'.

Attaching the PM8CX to most overhead surfaces is a breeze. For open beam ceilings a 3 meter cable kit is included with self gripping ferrule system. If down pipe installation from hard ceiling material is required, any ¾" ceiling fan installation kit may be utilized. These kits are readily available under the FANTEC™ brand from home improvement stores with various down pipe length options to provide installation ease regardless of ceiling angle. (Up to 45°)

Either installation solution is discreetly implemented via the PM series innovative top cover design. This "cap" includes a cable access plug that is easily removed for pipe mounting. The cover also completely conceals the speaker cable terminations and the suspension anchor points

Several packages are offered to suit various coverage pattern and installation scenarios. For low ceilings, Atlas Sound offers a discrete enclosure system containing a ultra wide coverage 4" FA series driver. For higher ceiling applications, Atlas Sound PM series answers the need for a variety of budget and performance requirements with three different 8" driver options, factory assembled into in a larger pedant style enclosure. Available in black or white enclosure finish.



PM8CX-B  
Hanging

©2013 Atlas Sound L.P. All rights reserved. Atlas Sound is a trademark of Atlas Sound L.P. All other trademarks are the property of their respective owners. All specs are subject to change without notice. AT5002844 RevA 2/08

## Architect And Engineer Specifications

The loudspeaker system shall consist of a two-way woofer and tweeter assembly within an environmental-resistant housing. The 150 Watts system shall have an 8.25" (310 mm) woofer constructed with a polypropylene cone and a 1" (25 mm) titanium diaphragm compression driver.

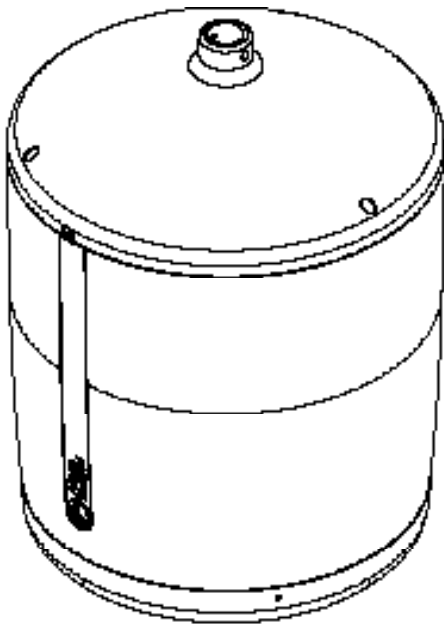
Each system shall be complete with a built-in, 60 Watts 70.7/100V transformer with taps of 1.9, 3.8, 7.5, 15, 30, & 60 Watts (70.7V) and a transformer bypass position for 8 Ω direct coupled operation on a 8 position terminal block.

The frequency response for the system shall be 60 Hz – 15 kHz (±5 dB).

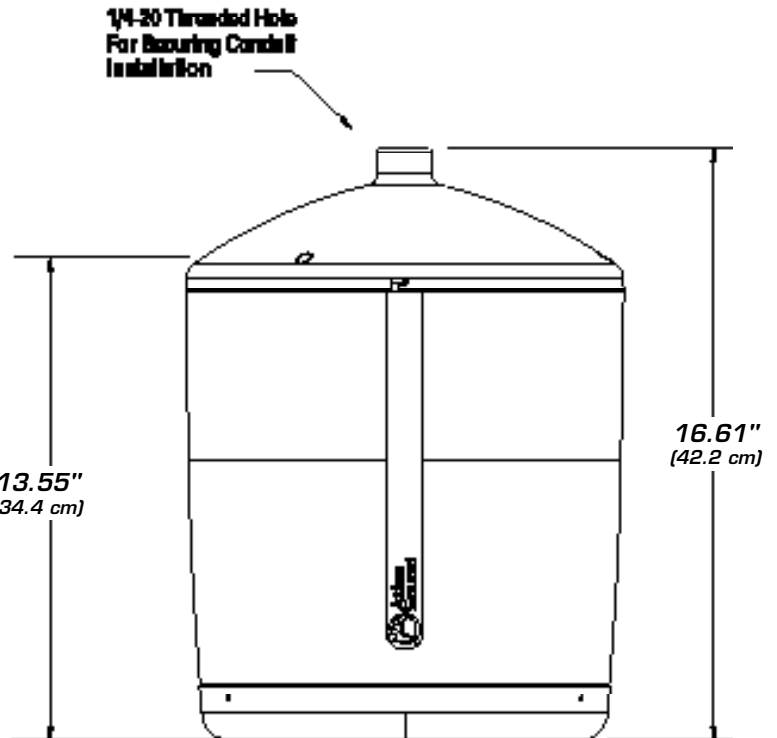
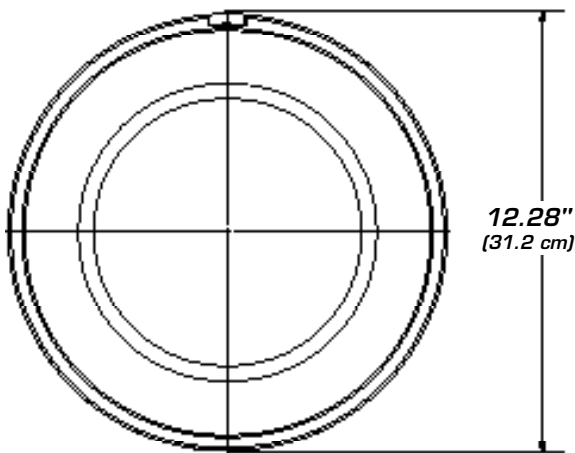
The loudspeaker shall be the Atlas Sound PM8CX.



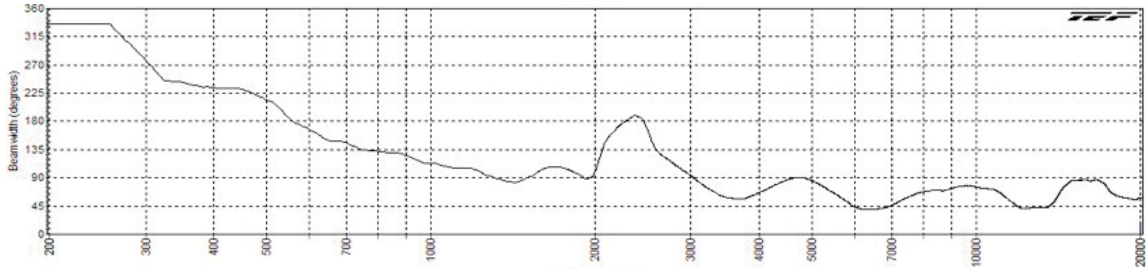
*Transformer Tap Selection*



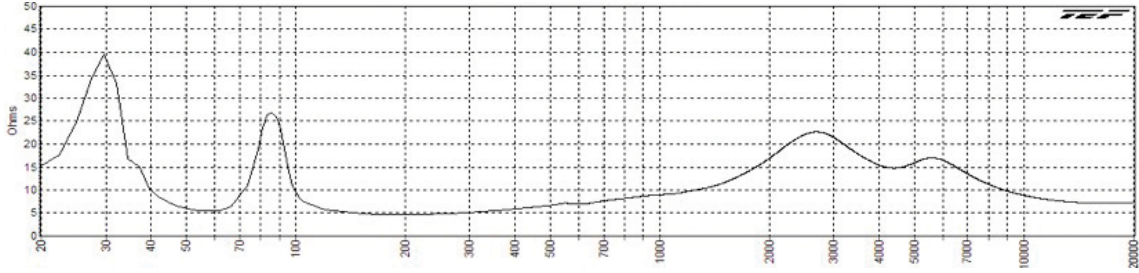
*1/4-20 Thread Hole for Securing Conduit Installation*



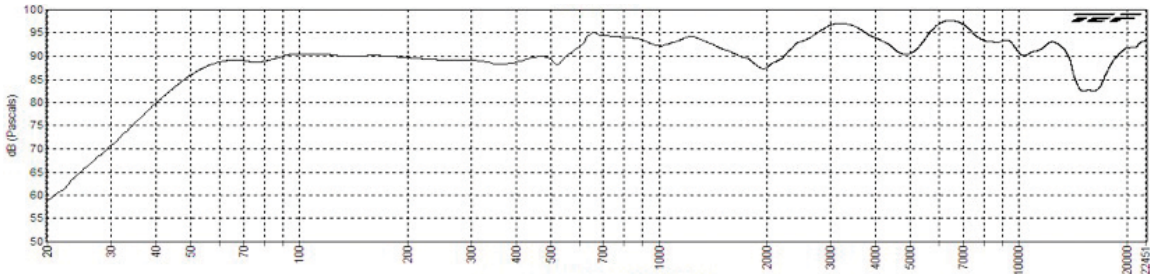
©2013 Atlas Sound L.P. All rights reserved. Atlas Sound is a trademark of Atlas Sound L.P. All other trademarks are the property of their respective owners. All specs are subject to change without notice. AT5002844 RevA 2/08



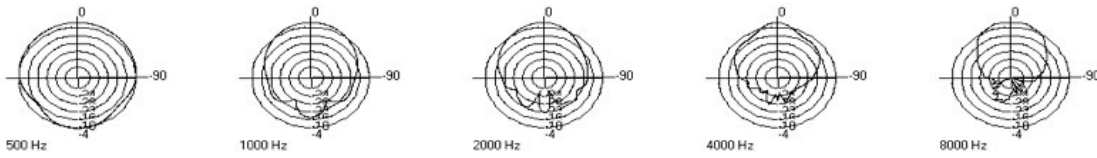
PM8CX Beamwidth



PM8CX Impedance



PM8CX Frequency Response



PM8CX Polar Charts