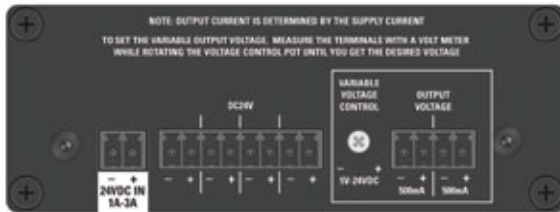
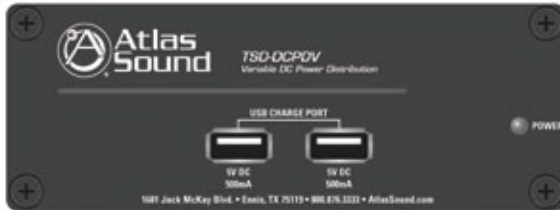




TSD-DCPDV DC Power Distribution with Fixed & Variable Outputs



1601 Jack McKay Blvd • Ennis, Texas 75119 U.S.A.
Telephone: 800.876.3333 • Fax: 800.765.3435



Description

The Atlas Sound TSD-DCPDV Variable DC Power Distribution Block is designed to reduce cost and wiring clutter in installations where multiple DC power supplies with the same voltage are required. Each unit has one 24VDC Input, 4 fixed 24VDC Outputs, 2 5VDC USB Charge Ports and 2 regulated variable outputs ranging from 5V - 24VDC. Each output has additional filtering to negate any AC ripple that may be present in the DC signal. Both USB and Variable outputs have a current overdrive protection circuit. The current output also depends on the power supply current rating.

The TSD-DCPDV is part of a full line of Atlas Sound Time Saving Devices. These compact (1.5" x 4" x 2.75") units are designed to solve some of the common audio system problems in the easiest and in the most efficient and cost-effective way. All models are made from high quality components and include removable individual I/O connectors for quick and precise wiring, separate ground terminals for all I/Os assuring secured connections, and removable level controls that can be replaced with tamper-proof security covers. The TSDs are highly efficient and meet Energy Star™ standards as one 24V DC power supply (available separately) can power multiple Atlas Time Saving Devices.

Features

- Power Distribution for Multiple TSDs From a Single PSU
- 1 In 8 Out Configuration
- Four (4) Fixed 24VDC Outputs
- Two (2) Variable 5V - 24VDC Outputs
- Two (2) USB 5VDC Charge Ports
- Current Operating Range 1A to 3A
- DC Filtering Per Channel
- DC Isolation Per Channel
- Cable Management System
- Multiple Mounting Configurations
- Separate Ground Connections
- Removable Phoenix Style I/O Connectors
- Meets Energy Star™ Standards
- Compact Chassis Design

Audio Applications

- Wireless Microphone Power Supplies
- TSD Power Distribution
- Reduce AC Outlets from Power Strips
- Use Less Power

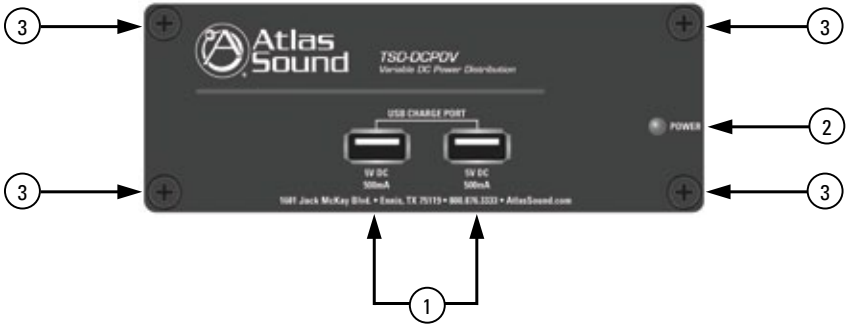
Installation

- Government Buildings
- Medical Facilities
- Office Environments
- Churches
- Restaurants
- Schools
- Industrial Facilities
- House of Worship





Front Panel Description



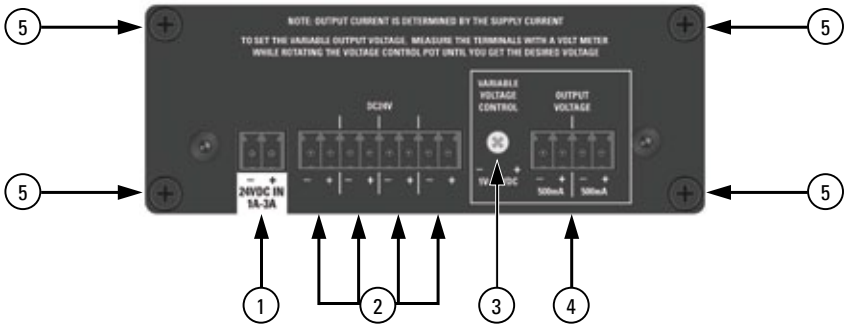
1. **USB Charge Ports** - Connect USB devices to these 2 ports. Maximum current draw from each port is 500mA at 5VDC. **Note:** These ports will not charge iPhones.
2. **Power LED** - Illuminates BLUE when 5-24VDC power is present.
3. **Bracket Retainer Points** - Each TSD includes two mounting brackets for securing the TSD to a cabinet or wall. Remove screws and align the bracket with the panel hole before firmly tightening the screws.



1601 Jack McKay Blvd. • Ennis, Texas 75119 U.S.A.
Telephone: 800.876.3333 • Fax: 800.765.3435



Rear Panel Description



TSD Input/Output connections are removable for easy system wiring. The connector has a 3.5mm pitch between pins.

- 1. DC Power Input** - Each TSD that requires DC power comes with a 2 position connector for an external 24VDC power supply (sold separately). Because of the TSD's low power consumption, a single external power supply may power more than one TSD. Please refer to the specifications on current requirements in milliamps to match with the appropriate power supply. **Note:** It is acceptable to exceed the current requirements of the TSDs but NOT safe to use a power supply that is below the current requirement of the device.
- 2. Isolated DC Outputs** - Connect all system TSD products to these outputs, ensuring the total current draw of all the connected devices does not exceed the supply current of the TSD power supply being used. Observe the polarity of the output connectors and the polarity of the TSD devices being connected as well. Each output is filtered and isolated.
- 3. Variable DC Voltage Control** - Rotate clockwise to increase the voltage at the 2 variable output voltage connectors. Rotate counterclockwise to decrease. A meter should be used to measure the DC voltage at the output terminals. Adjustment range is 5-24VDC when a 24VDC power supply is connected to the 24VDC Input.
- 4. Variable Output Voltage Connectors** - Connect devices to these two outputs that require a voltage other than fixed 24VDC. Observe the polarity at the connectors. Maximum current output is 500mA at each port.
- 5. Cable Management Retainer Points** - Each TSD includes two cable retainer straps for securing the included cable management retainers. Remove one of the rear panel screws, align the panel hole with a retainer and firmly tighten the screws.





Mounting

There are three ways to securely mount this TSD:

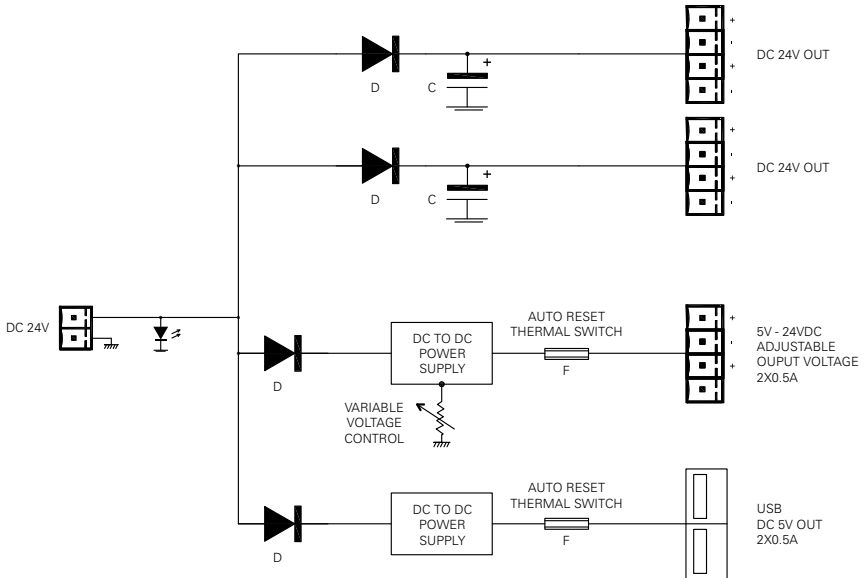
1. Velcro™ - Each unit includes industrial grade Velcro™ with adhesive backing to adhere to any flat surface.
2. Brackets - Each unit includes two mounting brackets to secure to a cabinet or wall.
3. Rack Mount Panel - The optional TSD-RMK rack mount panel supports up to four TSDs in a 1RU space.



1601 Jack McKay Blvd. • Ennis, Texas 75119 U.S.A.
Telephone: 800.876.3333 • Fax: 800.765.3435



Block Diagram



Specifications

Description	DC Power Distribution with Fixed & Variable Outputs
Chassis Color	Black
Chassis Material	Aluminum
Inputs	
DC Voltage Input	1A - 3A, 24VDC, 3A Max
Connection	Removable 2 Position Captive Screw 3.5mm Spacing
Outputs	
DC Voltage Output Fixed	24VDC, Current Output Related to Input Power Supply and Load
Connection	Qty 4, Removable 2 Position Captive Screw 3.5mm Spacing
DC Voltage Output Fixed	5V DC 500mA Each
Connection	Qty 2, USB Charge Port, Front Panel
DC Voltage Variable	Qty 2, Ports 1 Adjustable Voltage, Variable DC Output 5V – 24VDC, 500mA Each
Controls	
Variable DC Adjust	Recess Pot
Indicators	
Power	Blue





Electrical

Isolation	Active
Filters	DC Storage & AC Ripple
Over Current	Auto Reset Thermal Switch for Variable Output

Mounting

Velcro™	Industrial Grade, Included
Brackets	Qty 2, Included
TSD-RMK	Optional 1 RU Rack Mount Panel (Supports 4 TSD Units)
Cable Retainer	Qty 2, Included

Power Requirements

Idle	10mA
Dimensions	H 1.5" (39mm) x W 4" (101mm) x D 2.75" (70mm)
Weight	6oz, .165kg



**Atlas
Sound**

1601 Jack McKay Blvd. • Ennis, Texas 75119 U.S.A.
Telephone: 800.876.3333 • Fax: 800.765.3435



Limited Warranty

All products manufactured by Atlas Sound are warranted to the original dealer/installer, industrial or commercial purchaser to be free from defects in material and workmanship and to be in compliance with our published specifications, if any. This warranty shall extend from the date of purchase for a period of three years on all Atlas Sound products, including SOUNDOLIER brand, and ATLAS SOUND brand products except as follows: one year on electronics and control systems; one year on replacement parts; and one year on Musician Series stands and related accessories. Additionally, fuses and lamps carry no warranty. Atlas Sound will solely at its discretion, replace at no charge or repair free of charge defective parts or products when the product has been applied and used in accordance with our published operation and installation instructions. We will not be responsible for defects caused by improper storage, misuse (including failure to provide reasonable and necessary maintenance), accident, abnormal atmospheres, water immersion, lightning discharge, or malfunctions when products have been modified or operated in excess of rated power, altered, serviced or installed in other than a workman like manner. The original sales invoice should be retained as evidence of purchase under the terms of this warranty. All warranty returns must comply with our returns policy set forth below. When products returned to Atlas Sound do not qualify for repair or replacement under our warranty, repairs may be performed at prevailing costs for material and labor unless there is included with the returned product(s) a written request for an estimate of repair costs before any nonwarranty work is performed. In the event of replacement or upon completion of repairs, return shipment will be made with the transportation charges collect.

EXCEPT TO THE EXTENT THAT APPLICABLE LAW PREVENTS THE LIMITATION OF CONSEQUENTIAL DAMAGES FOR PERSONAL INJURY, ATLAS SOUND SHALL NOT BE LIABLE IN TORT OR CONTRACT FOR ANY DIRECT, CONSEQUENTIAL OR INCIDENTAL LOSS OR DAMAGE ARISING OUT OF THE INSTALLATION, USE OR INABILITY TO USE THE PRODUCTS. THE ABOVE WARRANTY IS IN LIEU OF ALL OTHER WARRANTIES INCLUDING BUT NOT LIMITED TO WARRANTIES OF MERCHANTABILITY AND FITNESS FOR A PARTICULAR PURPOSE.

Atlas Sound does not assume, or does it authorize any other person to assume or extend on its behalf, any other warranty, obligation, or liability. This warranty gives you specific legal rights and you may have other rights which vary from state to state.

Service

Should your Atlas TSD require service, please contact the Atlas Sound warranty department at 1-877-689-8055, ext. 1274 to obtain an RA number.

Atlas Sound Tech Support can be reached at 1-800-876-3333.

Visit our website at www.AtlasSound.com to see other Atlas products

©2010 Atlas Sound L.P. All rights reserved. Atlas Sound is a trademark of Atlas Sound L.P.
All other trademarks are the property of their respective owners. ATSO03939 RevA 9/10



1601 Jack McKay Blvd. • Ennis, Texas 75119 U.S.A.
Telephone: 800.876.3333 • Fax: 800.765.3435