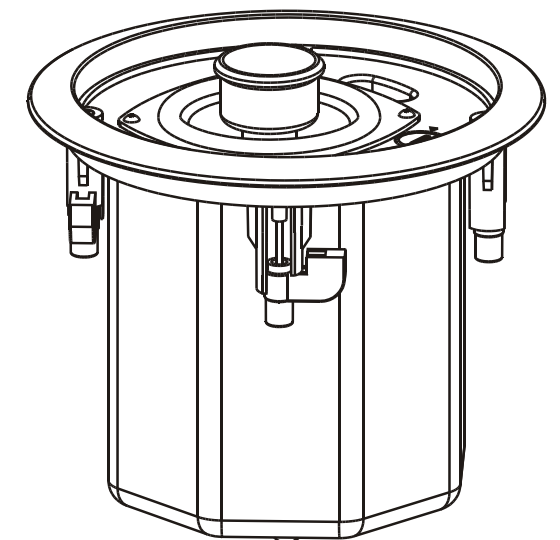
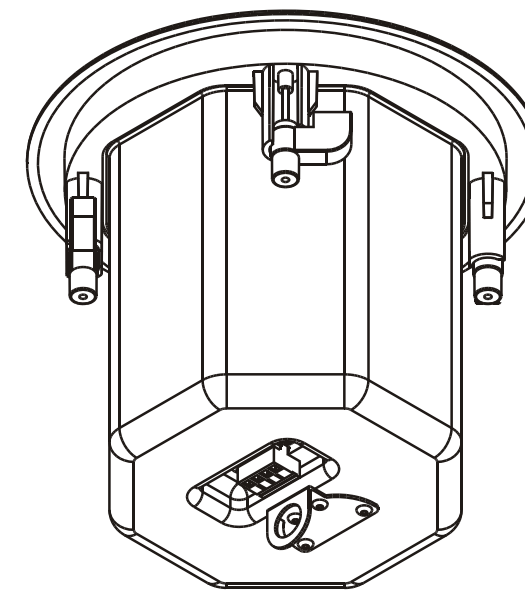
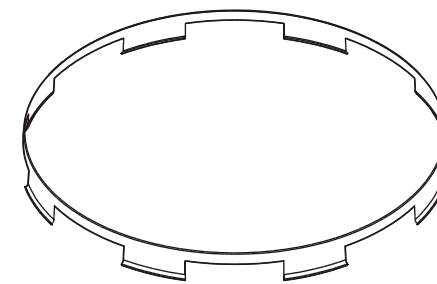


Ceiling Loudspeaker Instruction Manual



English

Table of contents

1. Points for Attention.....	1
2. Introduction.....	2
3. Features Description.....	3
4. Prepared for Installation.....	4
5. Installation Steps.....	5-7
6. Technical Specifications.....	8

6. Technical Specifications

Model	CSL-50CV Ceiling loudspeaker	CSL-150CV Ceiling loudspeaker
Built-in Speaker	one 4"(105mm)woofer speaker	one 6.5"(160.6mm)woofer speaker
	one piece 3/4"(19mm)tweeter speaker	one 3/4"(19mm)tweeter speaker
Input Power	rated 20W max 30W	rated 30W max 60W
Output Power	3.7W/7.5W/15W/30W	7.5W/15W/30W/60W
Input Impedance	1.327K Ω /656 Ω /328 Ω /164 Ω	656 Ω /328 Ω /164 Ω /82 Ω
Input Voltage	70/100V	70/100V
Frequency Response	100-20,000HZ	100-20,000HZ
Output Sound Pressure & Voltage	86dB(1M/W)	92dB(1M/W)

Model	CSL-50 Ceiling loudspeaker	CSL-150 Ceiling loudspeaker
Built-in Speaker	one 4"(105mm)woofer speaker	one 6.5"(160.6mm)woofer speaker
	one 3/4"(19mm)tweeter speaker	one 3/4"(19mm)tweeter speaker
Input Power	rated 20W max 30W	rated 30W max 60W
Output Power	30W	60W
Input Impedance	16 Ω	16 Ω
Frequency Response	100-20,000HZ	100-20,000HZ
Output Sound Pressure & Voltage	86dB(1M/W)	88dB(1M/W)

1. Points for attention

1.1 Please read through this instruction manual before operating the CSL series ceiling loudspeakers, so you will know how to set and operate your model properly. After you have finished reading the instruction manual, put it away in a safe place for future reference.

Caution: the fault setting will permanently damage your apparatus.

1.2 Don't operate your CSL ceiling loudspeaker over the setting specification, or it will affect the apparatus's life span and performance.

1.3 Don't use solvents or ethanol to clean your CSL ceiling loudspeaker.

1.4 Don't open the unit for repaired by yourself. No user serviceable parts inside. Please refer servicing to qualified service personnel.

Thank you very much for expressing your confidence in our products by purchasing CSL series ceiling loudspeakers. In order to get the best out of your ceiling loudspeaker, please go through this instruction carefully.

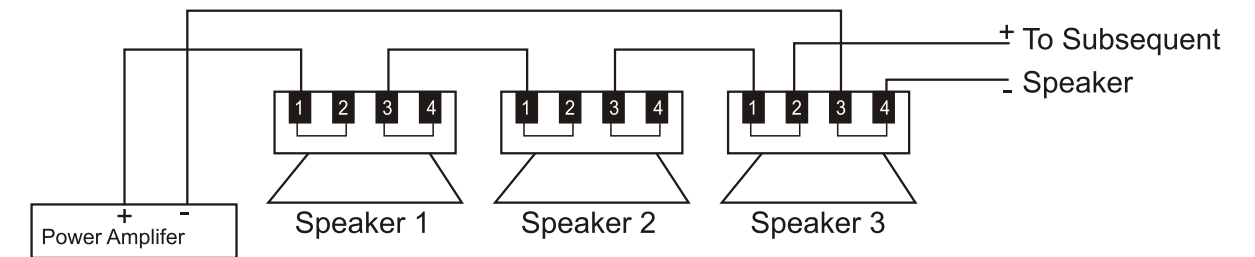
2. Introduction

CSL-50 & CSL-50CV make use of the innovative design and high quality materials to supply the ceiling loudspeaker with compact appearance and excellent performance. The CSL-50 is a compact indoor ceiling loudspeaker, which contains a coaxial 4" woofer and 3/4" titanium-coated tweeter. It provides the high fidelity full-range sound over an extremely wide coverage area, you can randomly select the output power 70V or 100V by the tap selector on the panel of CSL-50CV according to your requirement.

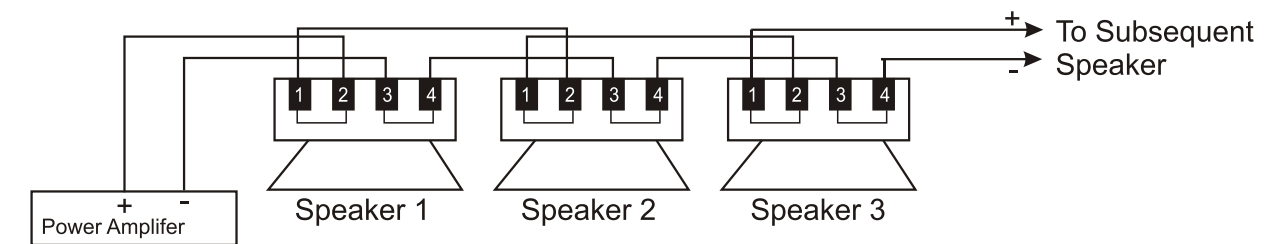
CSL-150 & CSL-150CV make use of the innovative design and materials to supply the ceiling loudspeaker with excellent performance. The CSL-150 is a large indoor ceiling loudspeaker, which contains a coaxial 6.5" woofer and 3/4" titanium-coated tweeter. It provides the high fidelity full-range sound over an extremely wide coverage area, you can randomly select the output power 70V or 100V by the tap selector on the panel of CSL-150CV according to your requirement.

Appendix: the following figures describe the possible series/parallel connecting modes.

Series mode:

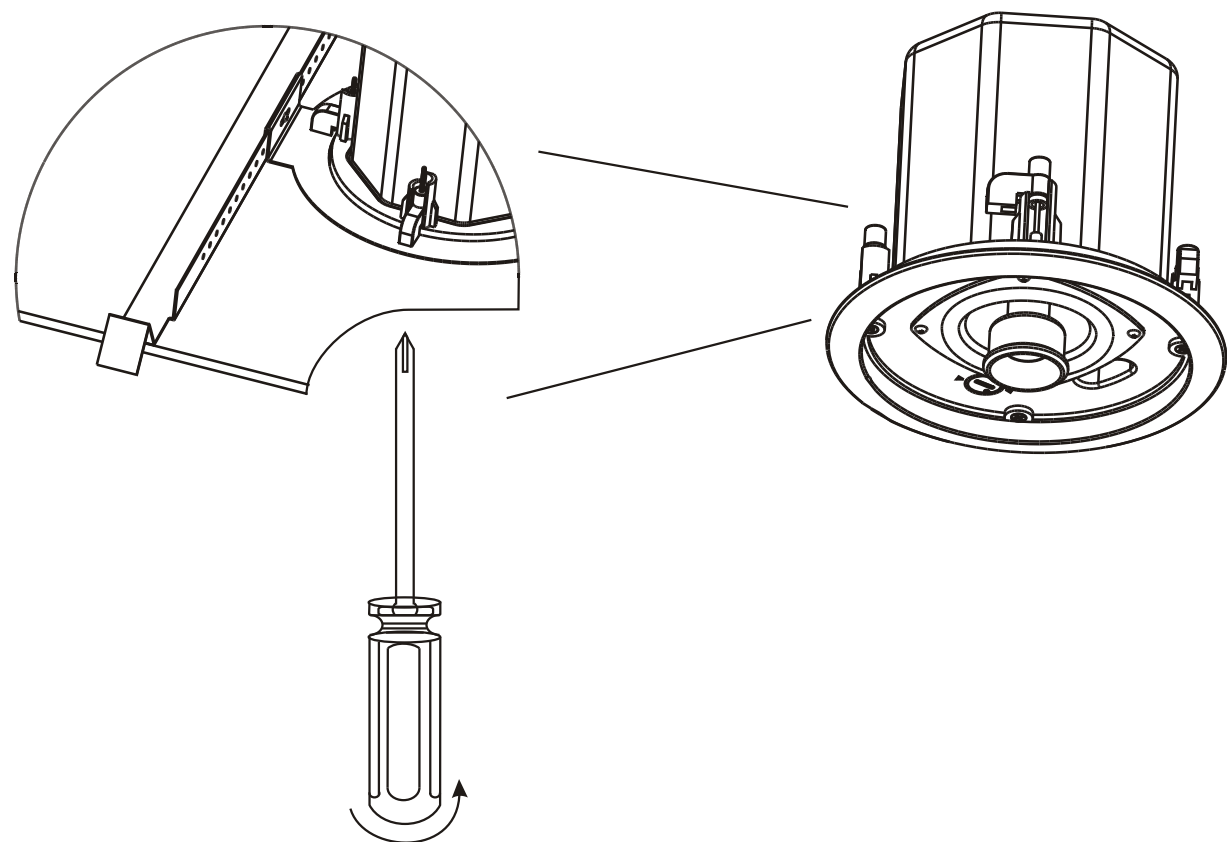


Parallel mode:



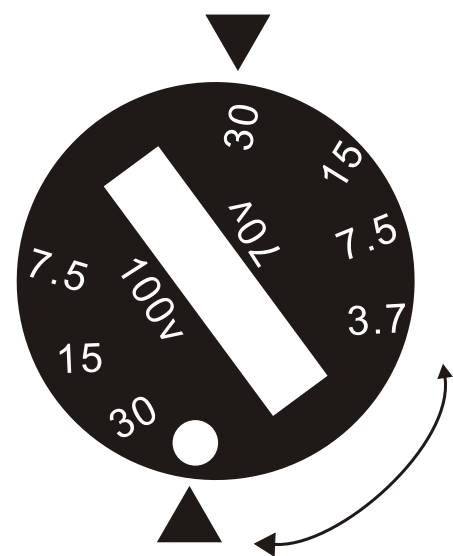
5.4 After the step 3, rotating the mounting tabs to lock the unit at the specified place.

The further details are as follows;

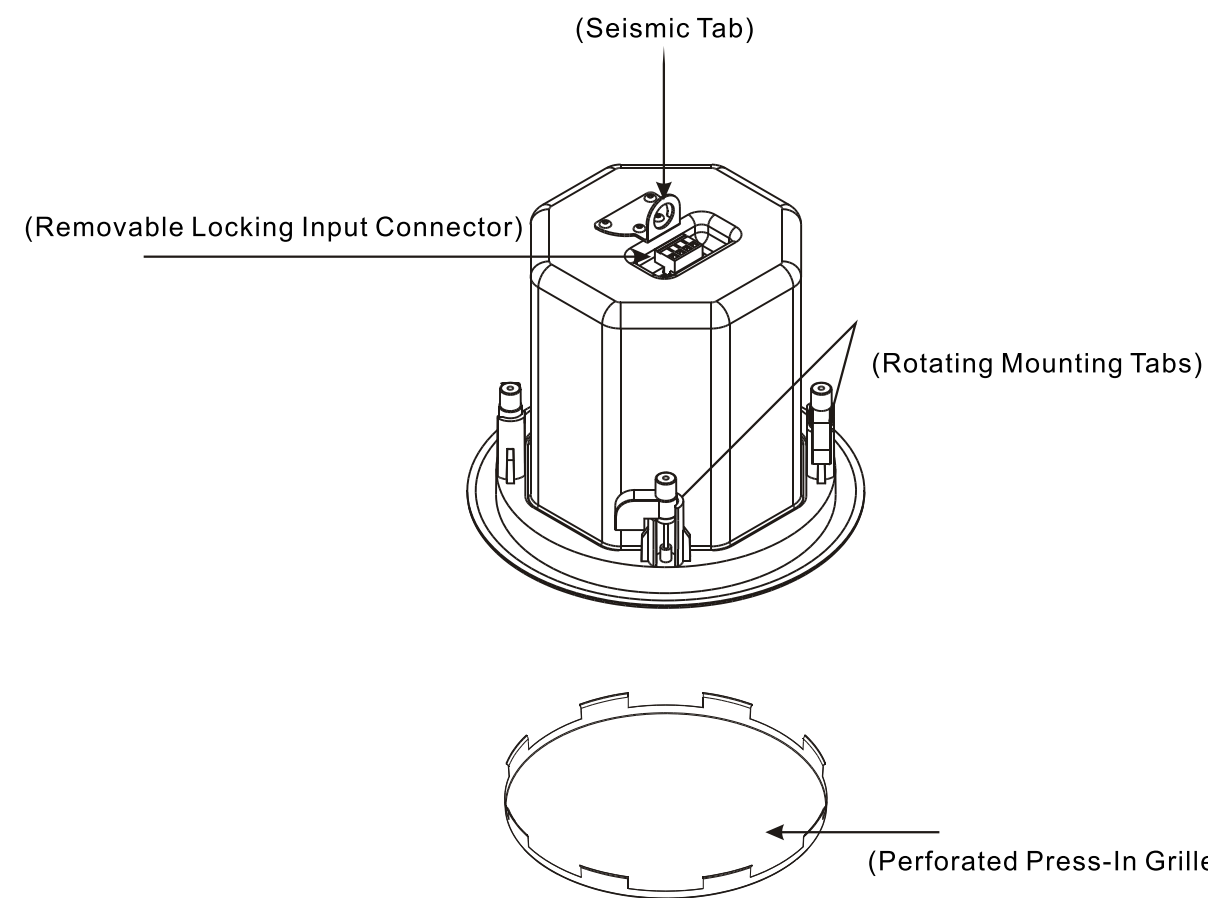
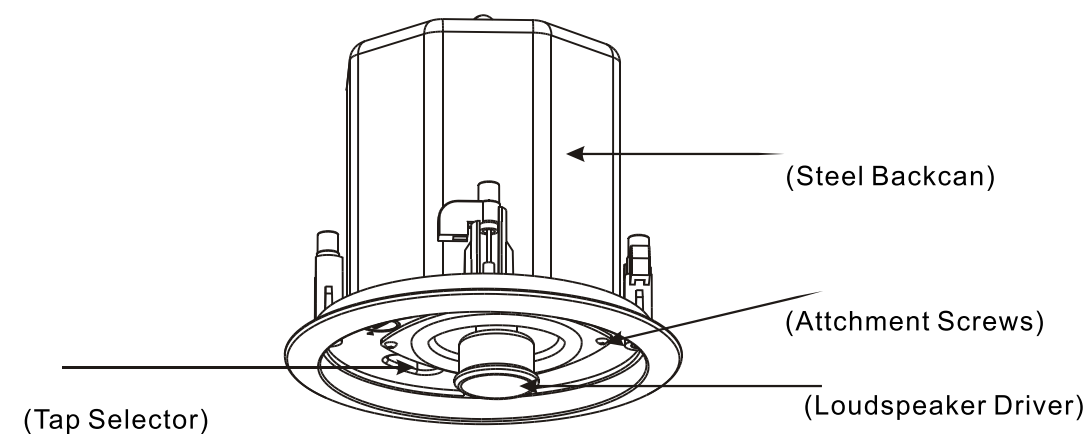


5.5 Then, you should select the required output power via the tap selector on panel.

Finally, install the perforated press-in grille for ending the installation.



3. Features Description



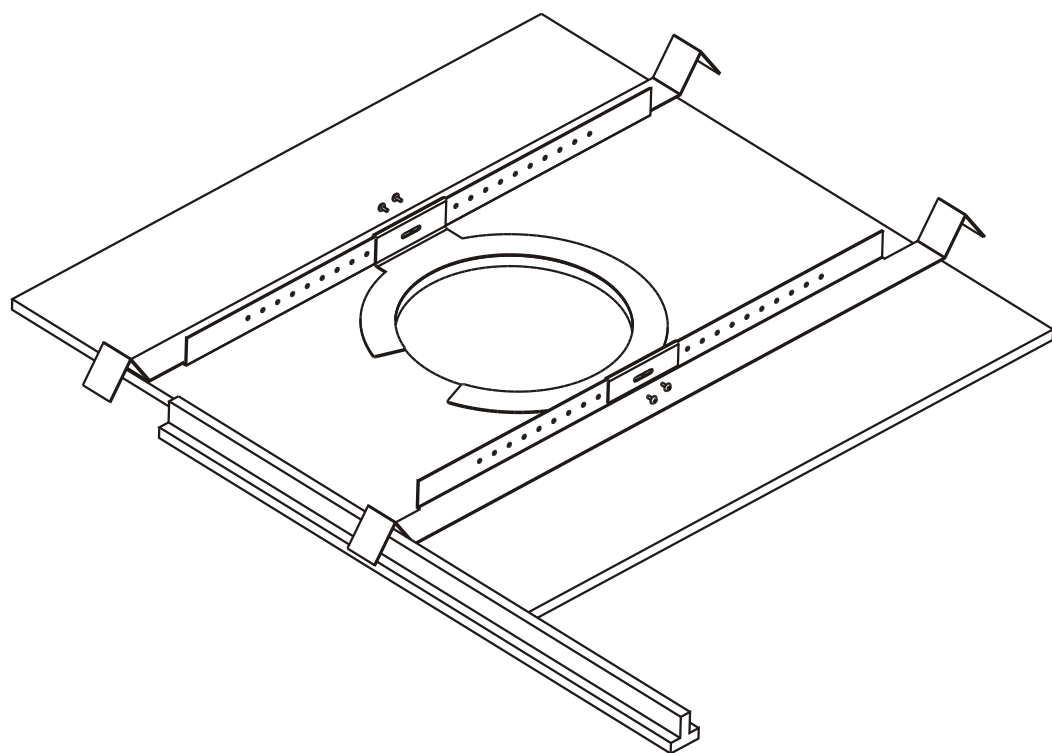
4. Prepared for Installation

It is easy to install your CSL series products at a proper place of ceiling in safety way. If necessary, you can make use of the attached "C" bracket and slid track to match up your installation, then rotating the mounting tabs to lock.

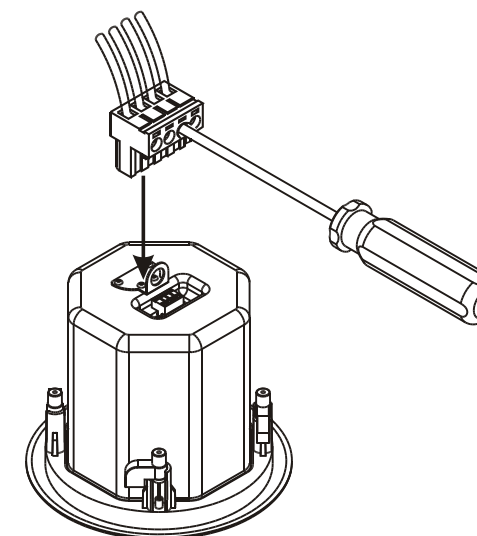
Installation accessories: "C" bracket, slid track.

5. Installation Steps

5.1 First, drill a round hole into the ceiling in accordance with the dimension of "C" bracket, then use the slid track to mount the "C" bracket on ceiling. The further details are as follows:



5.2 Please remove the removable locking input connector of CSL-50/50CV or CSL-150/150CV, and then finish the wiring work before installing your unit. The further details are as follows:



5.3 After the step1 and 2, put the unit into the ceiling round hole after inserting the input connector into the connecting socket of CSL-50/50CV or CSL-150/150CV. The further details are as follows:

